



Thank You!



Peak Pedal Exerciser

Product Codes: 9346376060639

Thank you for purchasing the Peak Pedal Exerciser

Kindly take time to go through this manual which gives you more details about your Pedal Exerciser. Kindly keep this booklet handy and use it as and when required.

The Peak Pedal Exerciser is warrantied to be free of defects in material and workmanship for twelve months from the date of purchase. This device was built to exacting standards and carefully inspected prior to packing and shipping. This warranty is an expression of our confidence in the materials, our workmanship and an assurance of the same to our customers. In the event of a defect covered by this warranty, we will at our option supply parts or replace the unit.

This warranty does not cover device failure due to owner's misuse or negligence or normal wear and tear. This warranty does not extend to nondurable components such as clips which are subject to normal wear and need periodic replacement.

If you have any queries, please contact the distributor.

Peak Care Equipment
149 Princes Highway
Unanderra NSW 2526
Tel: +612 4272 2688
www.peak-care.com.au

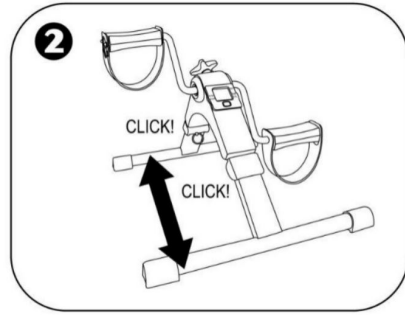
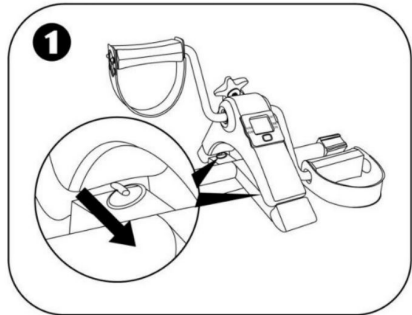
Distributor:



User Manual

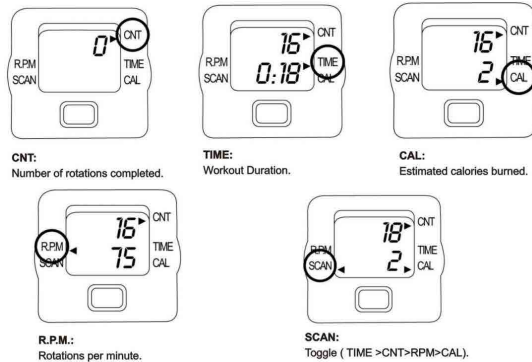
How to Set Up

- While pulling the ring at the joint of the frame leg firmly, fold the leg. Your Pedal Exerciser can be stored in a compact area.
- Simply pull the legs apart, as shown in the diagram, till it clicks. Lay firmly on a flat surface. Your Pedal Exerciser is ready

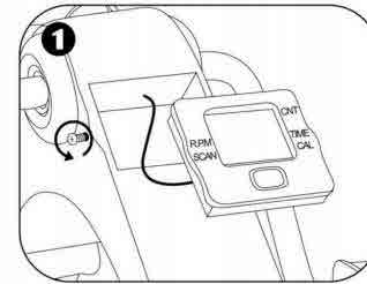


Display Functions

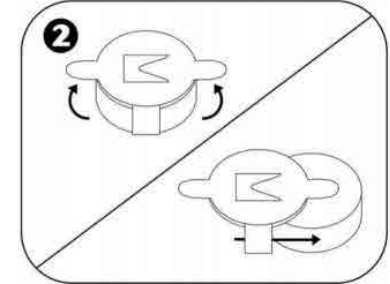
To turn on the display, press once on the red button or start pedaling. The display automatically shuts off after 4 minutes of inactivity. All of the display Functions are activated as soon as you begin pedaling and pause when you stop. To toggle between them, press the red button until the arrow points to the desired function.



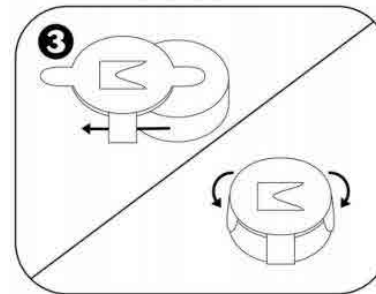
How to Change Battery for the Monitor



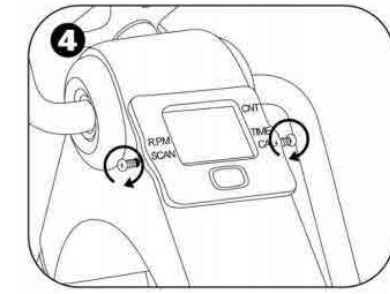
Loosen and remove the screws on each side side of the screen unit, then carefully remove the screen unit from its socket.



On the back of the screen unit, lift up the battery tabs and slide out the battery.



Insert a new 1.5V AG13 battery, positive side down and close the tabs.



Replace the screen unit in its socket and secure with the screws.